

Assembly instruction VARIO FIX I

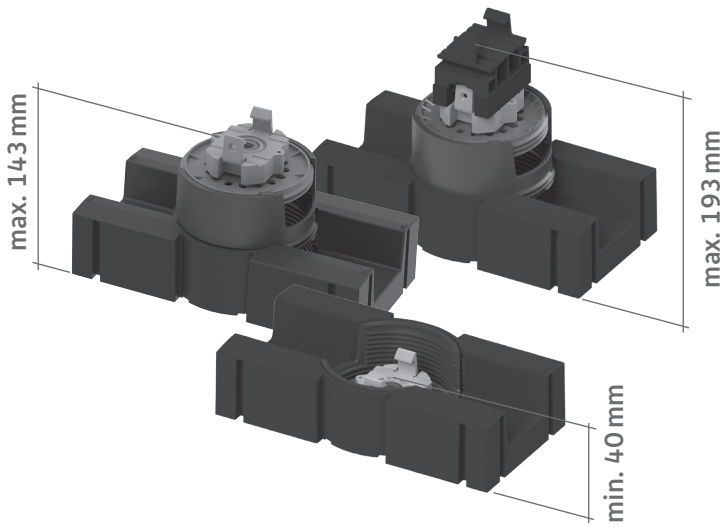
www.megawood.com

Date: 09/03/2022



Made in Germany

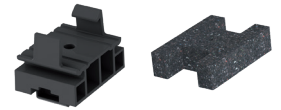
megawood®



For a higher adjustment range up to 292 mm (with comfort pad and attachment) use VARIO FIX II. When constructing on roofing membranes or on existing stone or stoneware surfaces, the VARIO FIX is to be positioned on suitable protective mats.

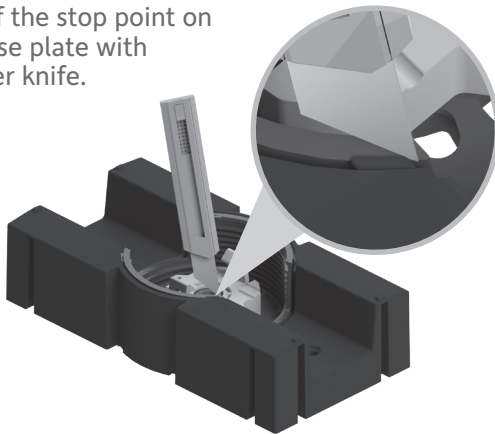
Accessories:

Comfort pad and attachment for an improved tread comfort and additional mounting height



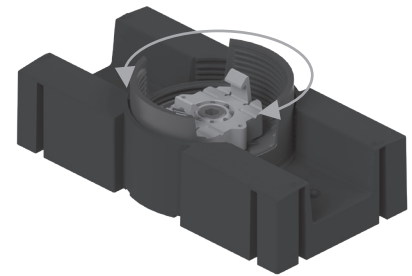
1

Cut off the stop point on the base plate with a cutter knife.



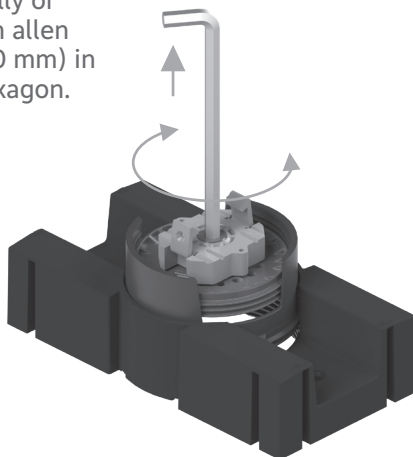
2

Always rotate the outer ring at first to reach the desired mounting height. Use the disc for fine adjustment and additional mounting height.



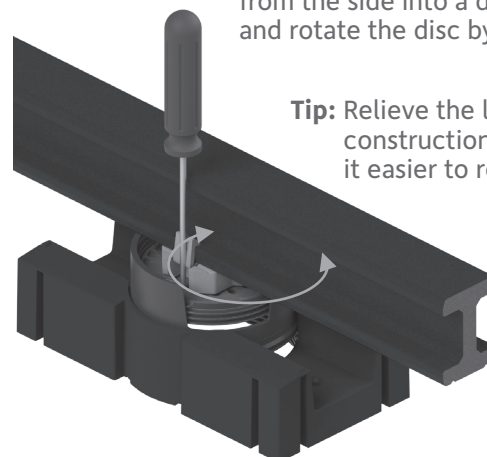
3

Adjust the disc manually or with an allen key (10 mm) in the hexagon.

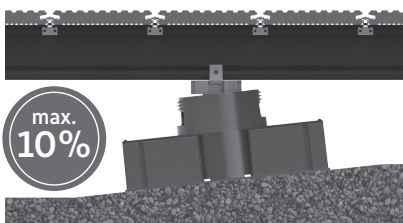


4

Fine adjustment with engaged construction beam: Rotate the disc manually or by means of a screwdriver. To do this, insert the screwdriver from the side into a disc's opening and rotate the disc by lever action.



Tip: Relieve the load on the construction beam to make it easier to rotate the disc.



 for construction beam
40x60 mm

 for construction beam
80x60 mm

Note: Click the construction beam straight in from above.

For further information see:

- Construction Plan Terrace System with VARIO FIX
- Assembly instruction VARIO FIX II